

256L Series Low Pressure High Flow Regulators

Suitable for low pressure high flow gas pipeline and distribution system, ensure stable outlet pressure under high flow. Built-in filter structure prevent gas source from contamination.

Features

- Suitable for non-corrosive gases
- Body machined from class "A" brass
- Stem-type seat assembly for more reliable performance
- Working Temperature: -4 ~ 140°F (-20 ~ 60°C)
- Weight: 8.5kg

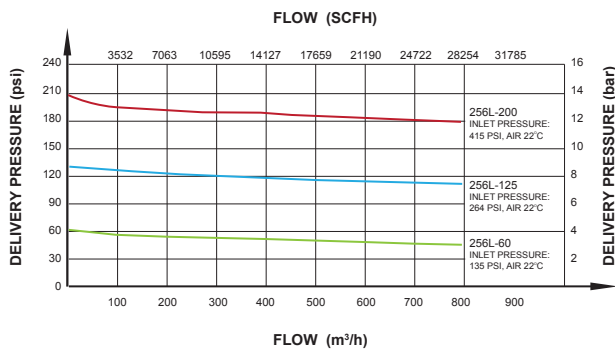
Materials

- Body: Brass
- Seat: EPDM
- Diaphragm: NBR

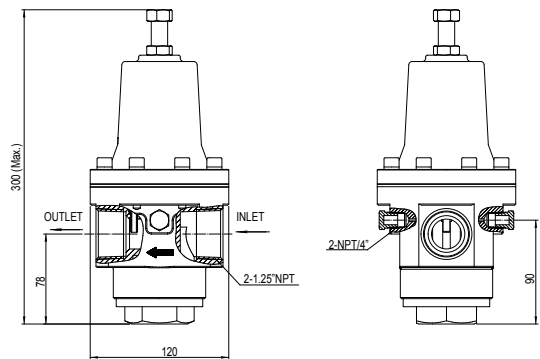


256L-60

Flow Data



Dimensions



Ordering Information

Model Number	Max. Inlet Pressure psi (bar)	Outlet Pressure psi (bar)	Inlet / Outlet Connection	Gas Service
256L-60	435 (30)	2.9 ~ 60 (0.2 ~ 4.1)	1.25" NPT(F)	O ₂ , N ₂ , Ar, He, CO ₂ , LPG
256L-125	435 (30)	4.35 ~ 125 (0.3 ~ 8.6)	1.25" NPT(F)	
256L-200	435 (30)	10 ~ 200 (0.7 ~ 13.8)	1.25" NPT(F)	