

MARKING

- SCG or SCG_{TH}
- T 0589
- ISO VB
- VO
- INLET : 25E
- OUTLET : CGA 540
- TOTAL PACKAGE : 53 kg
- WP : 200 bar
- PRD : 306 bar
- DD-MM-YY-XX (Date Month year LOT No.)
- $\overset{+}{-}$ and as to be required by customer

ISSUE	REVISION	DATE	APPROVED
A	UPDATE BODY..(**)	13/08/2021	RD
-	-	-	-
-	-	-	-

SCG's VALUE OF TOLERANCE VALUE IN DRAWING
SPECIFIC TO THE DIMENSION HAS NOT PROVIDE THE TOL.(±) FOR MACHINING (REF: ISO 286)

DIA.	TOL.	DIA.	TOL.
1.3	±0.10	50...80	±0.30
3...6	±0.12	80...120	±0.35
6...10	±0.15	120...180	±0.40
10...18	±0.18	180...250	±0.46
18...30	±0.21	250...315	±0.52
30...50	±0.25	315...400	±0.57

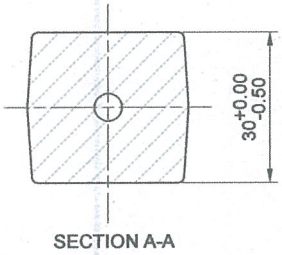
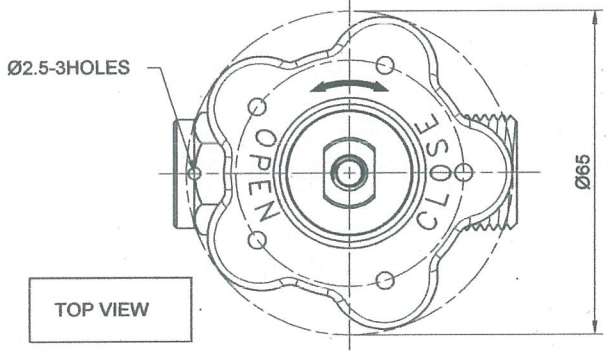
ECCENTRICITY ±0.30 mm
R=1.0 OTHERWISE INDICATED

TECHNICAL DATA

1. REFERENCE STANDARD
ISO 10297
2. OPERATING PRESSURE
200 bar
3. OPERATING TEMPERATURE
-20°C to 65°C
4. HYDROSTATIC TEST
450 bar
5. LEAKAGE TEST
0.5, 10, 240 bar
6. PRESSURE RELIEF DEVICES
RUPTURE DISK : 260-306 bar
FUSIBLE PLUG : - °C
PRESSURE RELIEF VALVE : -
- PRV FLOW CAPACITY : -

25E / PZ27.8
3:25,55° / 3:25,55°
(BS EN ISO 11363-1) / (GB 8335)

เอกสารอนุมัติใช้แต่ไม่ควบคุม
UNCONTROLLED SD



NO.	PART NAME	MATERIAL	QTY.	REMARK
15	BAG	PLASTIC	1	
14	RUPTURE DISC	NICKEL	1	
13	RUPTURE DISC CAP	BRASS	1	
12	RUPTURE DISC WASHER	POM	1	
11	GLAND NUT	BRASS	1	
10	PACKING FOR HANDWHEEL	PA	1	
9	SPRING FOR LOCK NUT	STAINLESS STEEL	1	
8	LOCK NUT	BRASS	1	
7	HANDWHEEL	ALUMINIUM	1	GRAY COLOR
6	O-RING	SYNTHETIC RUBBER	2	
5	PACKING FOR GAND NUT	PA	1	
4	SPINDLE	BRASS	1	
3	STEM	STEEL	1	
2	DISC FOR STEM	PA	1	
1	BODY	FORGING BRASS	1	

7. Ref. PROJECT
N/A
PROJECT ENGINEER
Ray
No. B21035



REMARK : INLET INSTALLATION TORQUE 155-200 Nm
Cv = 0.6

TITLE : OXYGEN VALVE (O₂)

MODEL : VO

DRAWING No : D-VO2-L.4

DRAWN BY : <i>WA</i>	PREPARED BY : <i>sm</i>	CHECKED BY : <i>RD</i>	APPROVED BY : <i>RD</i>
ISSUE STATUS : B	No. D211109	SCALE : 1:1.5	
DATE : 09/10/2021			

PLEASE SIGN TO APPROVE AND RETURN (BY CLIENT)