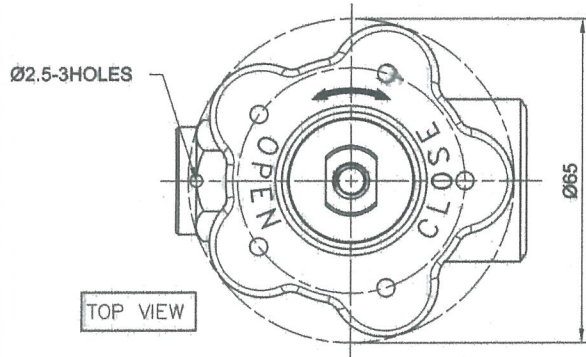
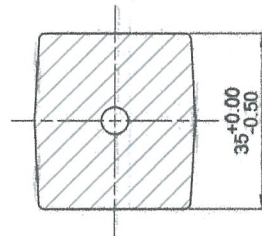


VALVE PROTECTION CAP
(ISO 11117)



TOP VIEW



SECTION A-A

REMARK : INLET INSTALLATION TORQUE 155-200 Nm

MARKING

- SCG or SCG_{TH}
- T0589
- ISO V
- VI
- INLET : 25E
- OUTLET : CGA 580
- TOTAL PACKAGE : 53 kg
- WP : 200 bar
- PRD : 260 bar
- DD-MM-YY-XX (Date Month year LOT No.)
- and as to be required by customer



15	CARTON	PAPER	1/25	
14	RUPTURE DISC	NICKEL	1	
13	RUPTURE DISC CAP	BRASS	1	
12	RUPTURE DISC WASHER	POM	1	
11	GLAND NUT	BRASS	1	
10	PACKING FOR HANDWHEEL	PA	1	
9	SPRING FOR NUT	STAINLESS STEEL	1	
8	LOCK NUT	BRASS	1	
7	HANDWHEEL	ALUMINIUM	1	GRAY COLOR
6	O-RING	SYNTHETIC RUBBER	2	
5	PACKING FOR GAND NUT	PA	1	
4	SPINDLE	BRASS	1	
3	STEM	BRASS	1	
2	DISC FOR STEM	PA	1	
1	BODY	FORGING BRASS	1	
NO.	PART NAME	MATERIAL	QTY.	REMARK

SCG's DATA OF TOLERANCE VALUE IN DRAWING SPECIFIC TO THE DIMENSION HAS NOT PROVIDE THE TOL.(±) FOR MACHINING (REF: ISO 286)

DIA.	TOL.	DIA.	TOL.
1..3	±0.10	50...80	±0.30
3...6	±0.12	80...120	±0.35
6...10	±0.15	120...180	±0.40
10...18	±0.18	180...250	±0.46
18...30	±0.21	250...315	±0.52
30...50	±0.25	315...400	±0.57

ECCENTRICITY ±0.30 mm
R=1.0 OTHERWISE INDICATED

REMOVING SLOPE 3'-7'

TECHNICAL DATA

1.REFERENCE STANDARD

ISO 10297

2.OPERATING PRESSURE

200 bar

3.OPERATING TEMPERATURE

-20°C to 65°C

4.HYDROSTATIC TEST

450 bar

5.LEAKAGE TEST

0.5,10,240 bar

6.SAFETY DEVICE

SET PRESSURE : 234-280 bar

FUSIBLE PLUG : - °C

7.USEABLE FOR CYLINDER

MAX.WC : 53 kg

GENERAL NOTE

RQDS No. -

PROJECT ENGINEER

No. D20/009



SCG (THAILAND) CO.,LTD.
ISO 9001 & ISO 14001 & ISO 45001

TITLE : INERT GAS VALVE (N₂,He,Ar)

DRAWN BY: K
PREPARED BY: [Signature]
CHECKED BY: [Signature]
APPROVED BY: [Signature]

PLEASE SIGN TO APPROVE AND RETURN (BY CLIENT)

MODEL : VI

ISSUE STATUS :

A

SCALE :

1:1.5

DRAWING No : D-VN2-A.13

DATE 02/03/2020

No. D200263