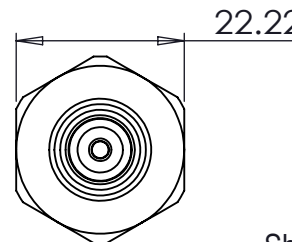
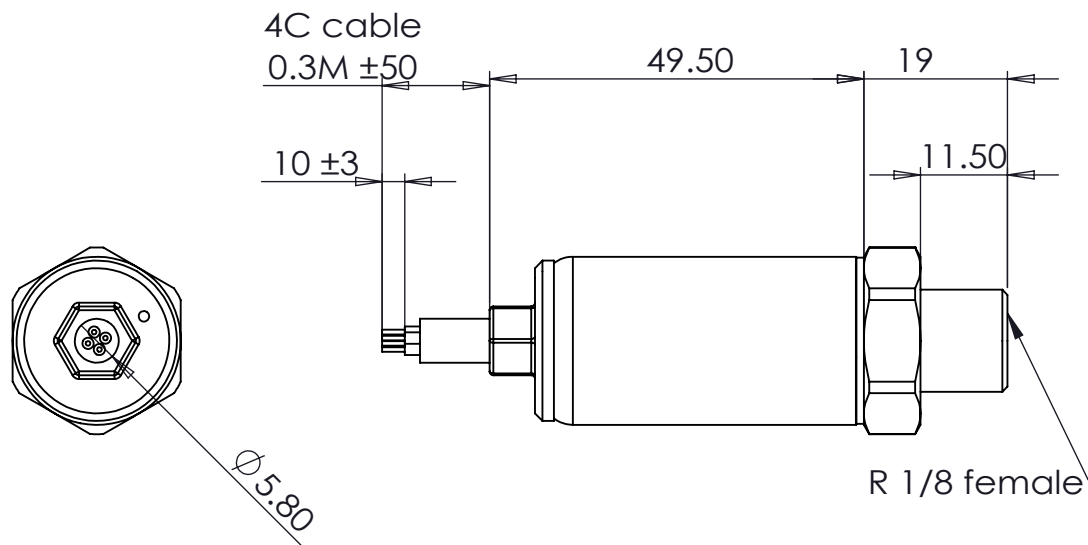
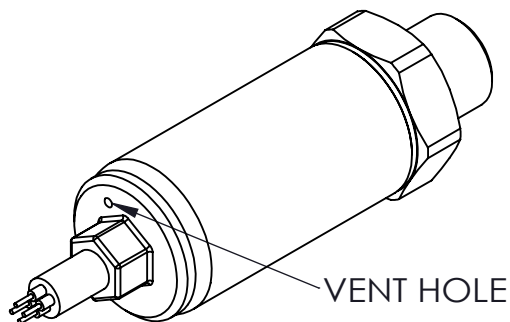


Rev.	ECN no.	日期	繪圖	核准	描述
0	D06051501	2017/5/15	J.C.Sun	C.C.Tsai	△
1	D07011101	2018/1/11	J.C.Sun	Chunk.Lin	△



Spec

- Range : 0~100G(Gage)
- Output : DC 4~20mA
- Accuracy : ±0.5%F·S
- Total error : ±2.0%F·S
- Power : DC 11~30V
- Temperature Compensated:0~50° C
- Operation Temperature:-20~80° C
- Sensor Type : Oil Fill Type
- Wetted Material : 304L&316L

20mA Output

Cable Color

Red : IN+

White : OUT+

Black : spare

Green : E-case

P51-100G-SI-0G-20mA

100psi Gage

SI:R 1/8(1/8 PT)female

20mA: DC4~20mA

0G:0.3M cable length

Sheet 1 of 3 △

客戶: GENTEC		客戶圖號:		
產品No: P51		DWG.NO. 06038A		
一般公差				
尺寸範圍	容許差	TSMC No: P51-100G-SI-0G-20mA		
0.5<D≤3	±0.1	CHD.BY-Chunk.Lin	DRN.BY- Sun JenCheng	
3<D≤6	±0.1			
6<D≤30	±0.2	DATE: 2018/01/11	MATERIAL: NA	
30<D≤120	±0.3	REV- 1	UNIT- MM	
120<D≤400	±0.5			SCALE- 1:1
400<D≤1000	±0.8			
ANGULAR	±0.5			

