

# GENTEC ATLAS PERFECT ALERT ALARM SYSTEM

Area  
Master  
Combination

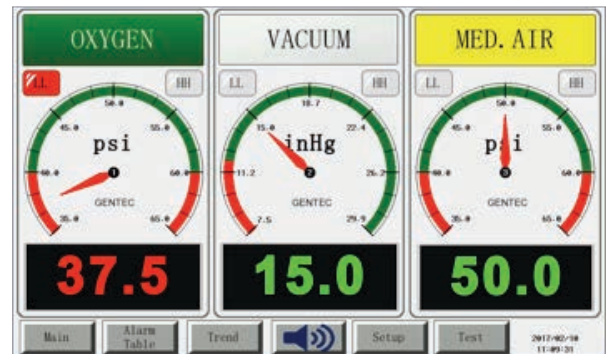


# MEDICAL GAS ALARM SYSTEMS

Atlas Area Alarm actively monitors your gas on a highly visible 10" (25.4cm) TFT LCD touch screen. Atlas comes with various communication protocols including RS 485, UDP and Ethernet. Alarm conditions can be viewed on a smart phone, tablet or computer connected to the facilities' intranet. Output channels allow for customized alerts such as sending an email, pager, external alarm signal, or even control functions.

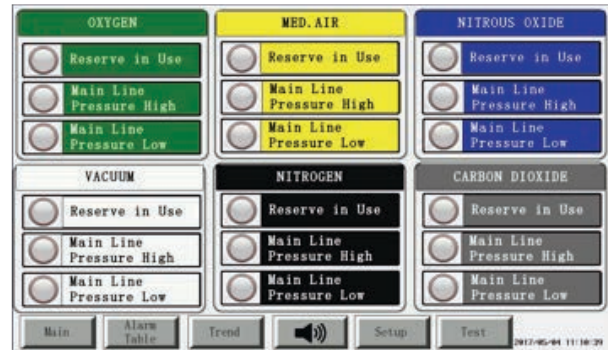
## Atlas Area Alarm

As an area alarm, it is capable of continuously monitoring up to 8 gas sensor modules, mounted locally or remotely. Programmable units of measure of each gas to read psi, mmHg, kPa, MPa or bar. Alarms are preset with NFPA alarm values but are field adjustable for lower and upper limit alarm values.



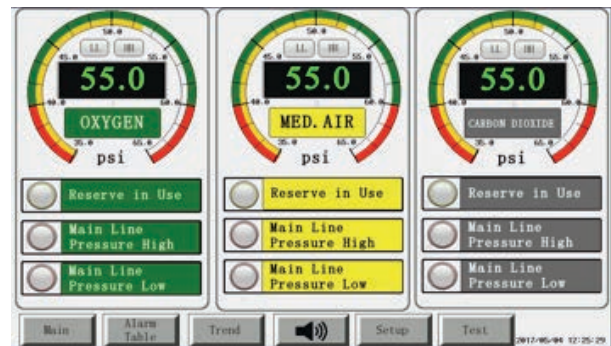
## Atlas Master Alarm

As a master alarm, it can monitor up to 14 points. The status of each point is continuously monitored; Gray is for normal condition, Yellow for caution that the alarm limit is almost reached, and Red when the alarm limit is reached and alarm triggered.



## Atlas Combination Alarm

As a combination alarm, it can monitor dry contacts, digital gas sensor modules and 4-20mA transducers as an area and master alarm displayed on the Touch Screen LCD.



## Features

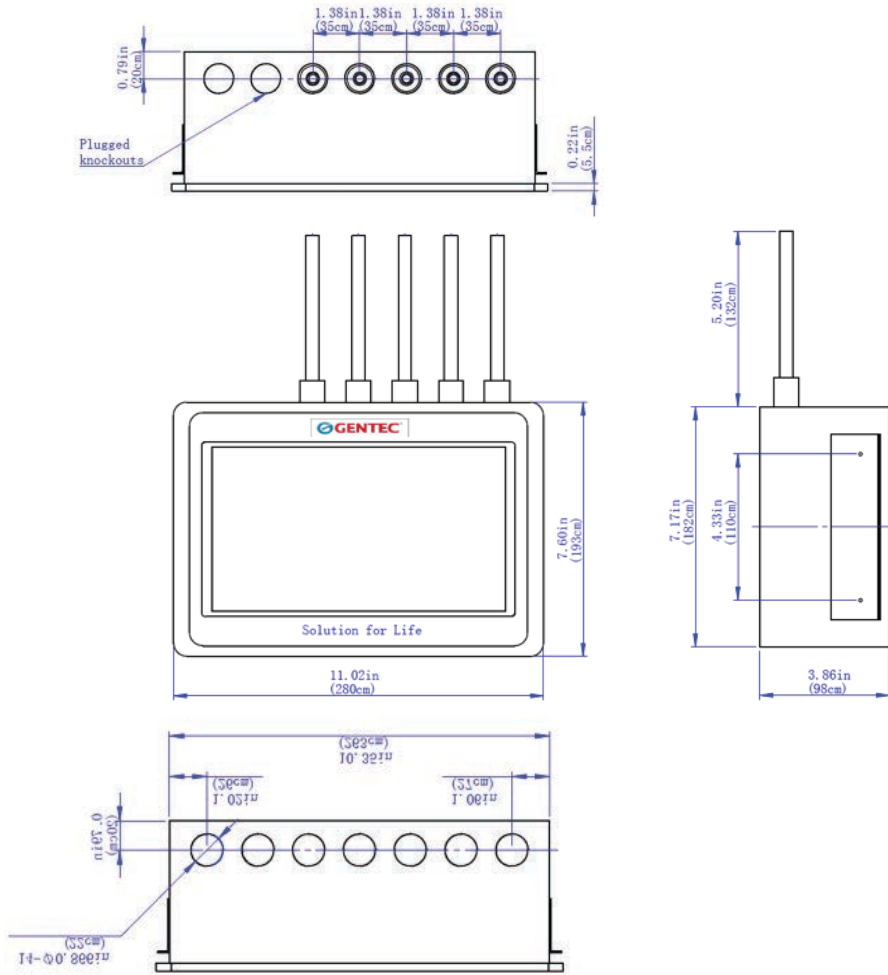
- The Atlas provides master, area, and combination alarm signals as required by the latest edition of NFPA99.
- The alarm is ETL listed to UL 1069 and CSA C22.2 No. 205 Signal Equipment
- On-site customization without the use of a laptop, tablet, or mobile device.
- 10" (25.4cm) Touch Screen Display with Password protected interface.
- Full networking capabilities including Modbus RTU/TCP, UDP protocols.
- A Trend Log to view the pressure trends and forecast if maintenance or additional support is required.
- An Event Log allows for a view history of time-stamped alarm events.
- Built-in webpage for viewing alarm conditions.
- Can be connected via VNC apps for smartphone and tablets.
- 1-YEAR WARRANTY.



## Specifications

Mechanical		Environment	
Front panel	Metal Alloy & ABS	Ambient Temperature	0°C - 50°C
Case Body	Metal Alloy	Ambient Humidity	10% ~85% RH, non-condensing
Nominal Physical Dimensions	Overall Size: 330mm x 241.5mm x 103mm (Depth x Height x Width) Beneath the Wall: 310mm x 226mm x 98mm (Depth x Height x Width)	Cooling	Natural Air Cooling
		Communication	
Wall Mounting Opening	Wall Mounting Opening	RS-485Modbus RTU	9600/19200 baud rate, (8,N,1)
Electrical		UDP	Modbus RTU over UDP
Power Requirements	Input: 100~240 VAC,50~60Hz 1A	Modbus TCP	10/100M Automatic Selection for Ethernet
Processor	32-bit RISC Microcontroller	Input and Output	
Monitor	LCD Size: 10.1" TFT, LED Backlit Resolution: 1024x600 Pixels Color Depth: 16 bit, 65536 Colors Brightness: 200 cd/m2 Touch Screen: 4-wire resistive (Hardness 4H) Durability: 50000 hours	Analog Input	Number of Channels: 8 Input: 4-to-20 mA Double-wire Transmitter Input ADC Resolution: 14 bit or Range of Sensor within 1%
		Digital Input	Number of Channels: 14 Input: Dry Contact or TTL
Buttons	Resistive touch buttons	Relay Output	Number of Channels: 7 Maximum load: 0.15A at 48VDC/1A at 30VDC/0.5A at 120VAC
Buzzer	Adjustable Volume	Analog Output	Number of Channels: 2 Maximum load: 0-20mA (maximum), in relation to 1~5V current for 4~20 mA Double-wire Transmitter

## Dimensions and Wall Opening



## Ordering Information

GM100M	-A	R	-3	(OVA)	-6
Model Number	Alarm Type	Transducers	Number of Gases	Gas Type	Relay Inputs
	A: Area Alarm	R: Remote L: Local	1: 1 Gas 2: 2 Gases 3: 3 Gases 4: 4 Gases 5: 5 Gases 6: 6 Gases 7: 7 Gases 8: 8 Gases	O: Oxygen V: Vacuum A: Medical Air 2: Nitrous Oxide C: Carbon Dioxide N: Nitrogen I: Instrument Air W: WAGD/AGSS	Blank: None
	C: Combination Alarm				
	D: Master Alarm	Blank: None	Blank: None	Blank: None	1: 1 input 2: 2 inputs ... 14: 14 inputs



Genstar Technologies Company, Inc.

4525 Edison Avenue, Chino, CA 91710, USA

Tel: 909-606-2726

Fax: 909-606-6485

www.gentec.com

