



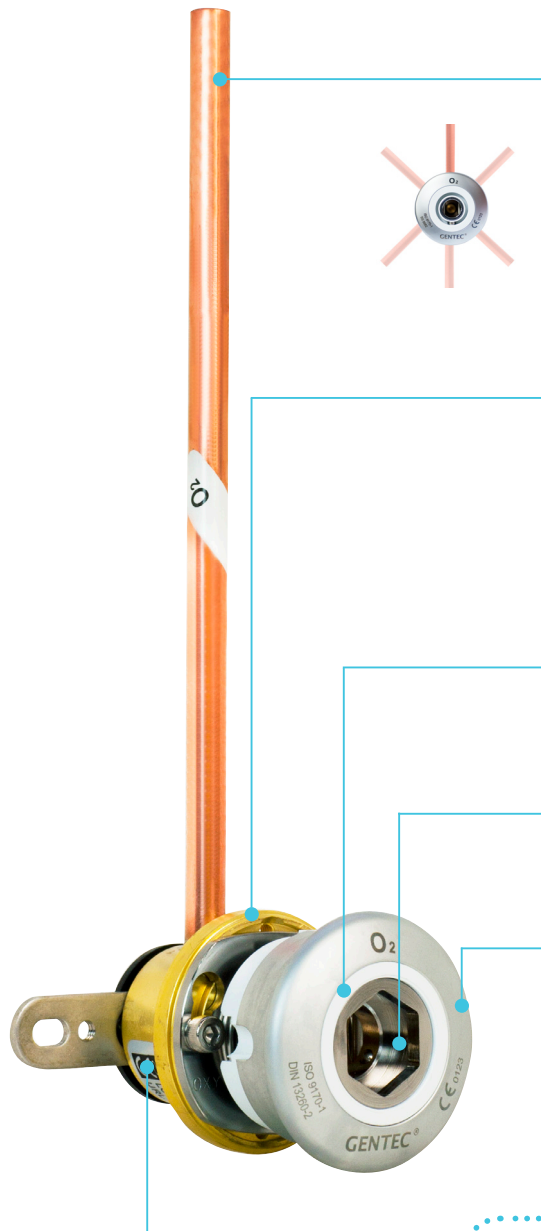
German / British / Japanese Medical Gas Outlets

Round-faced Pressure Lid Outlets

- Color-coded for easy gas service identification
- Modular structure, convenient maintenance
- German (DIN) Gas Outlet is CE listed and compliant with EN ISO 9170-1 and DIN 13620-2
- British (BS) Gas Outlet is CE listed and compliant with HTM 02-01, ISO 9170-1 and BS 5682
- Japanese (JIS) Gas Outlet is compliant with EN ISO 9170-1 and JIS T 7101

Specifications

GENTEC® gas outlets are designed for delivery of medical gas from a central pipeline system. These outlets are 100% individually tested for leaks to ensure safety. The outlets are designed with safety in mind and comply fully with ISO 9170-1. Outlets are manufactured in an ISO 9001: 2008 and ISO 13485 registered facility.



The Inlet Pipe

- Base block allows for the inlet pipe to be installed in 6 different directions for ease of installation
- Multiple connections available: 90° tubing, 180° tubing, 90° hose barb, 180° hose barb, 90° M14 thread, 180° M14 thread



Body

- Durable high quality forged brass body
- The sealing ring can be replaced without interrupting gas service to other outlets

Gas Service Indication Ring

- Uses color code for differentiating gas service

Gas Specific Indexing

- Prevents interchanging of gas service

Pressure Lid

- Manufactured from high quality aluminum alloy
- Matte Chrome plating protects against oxidation and corrosion
- Laser engraved markings

Base Block

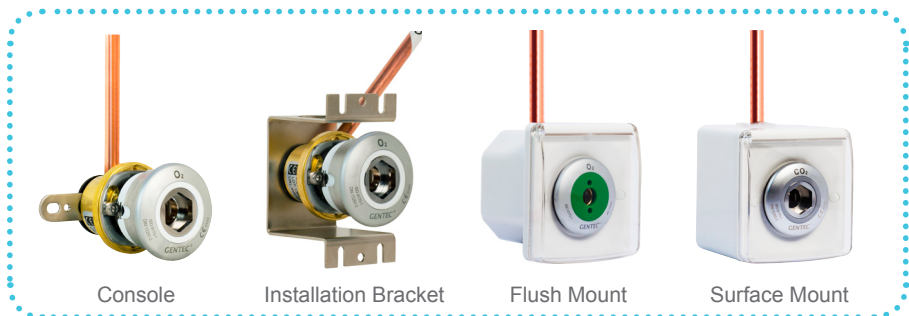
- High quality forged brass



German Standard

British Standard

Japanese Standard



Console

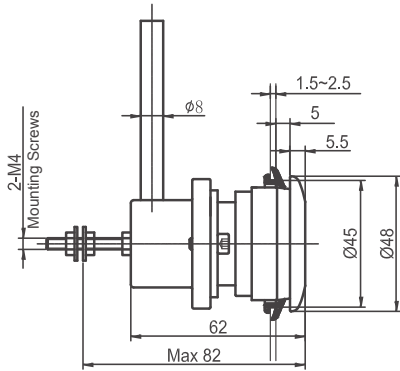
Installation Bracket

Flush Mount

Surface Mount

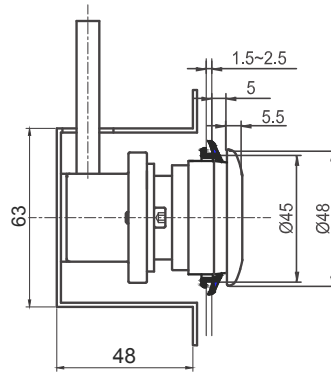
Dimensions units in millimeter(s)

Side



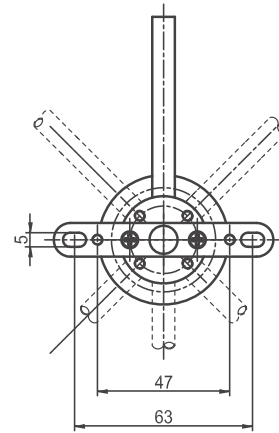
90° Tubing

Side

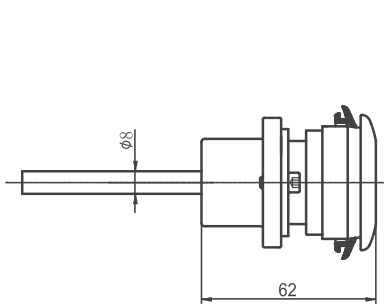


90° Tubing with Installation Bracket

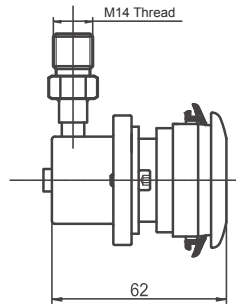
Back



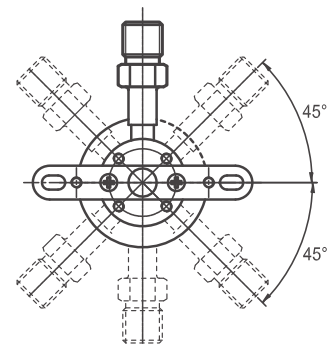
90° Tubing with Console Plate



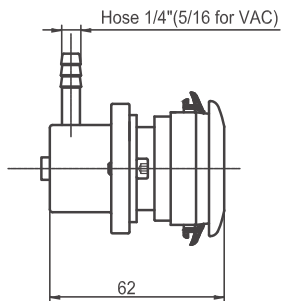
180° Tubing



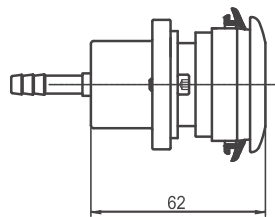
90° M14 Thread



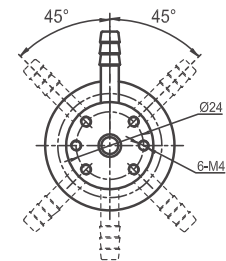
90° M14 Thread with Console Plate



90° Hose Barb



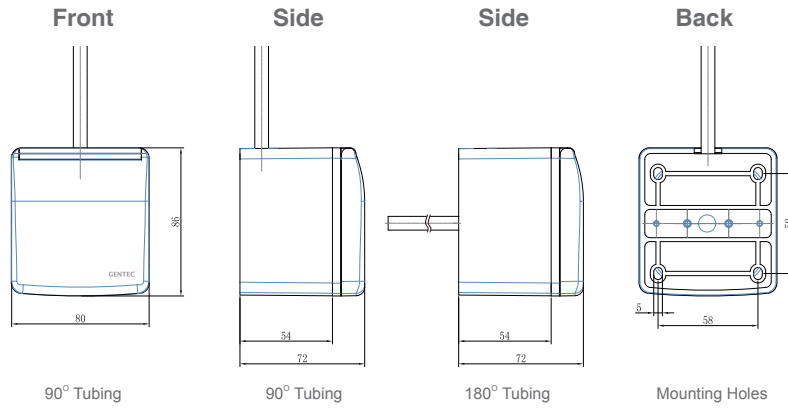
180° Hose Barb



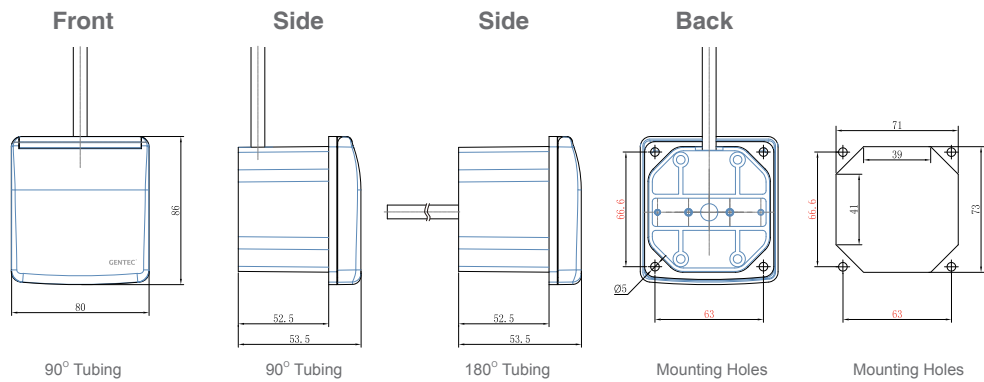
90° Hose Barb

Dimensions units in millimeter(s)

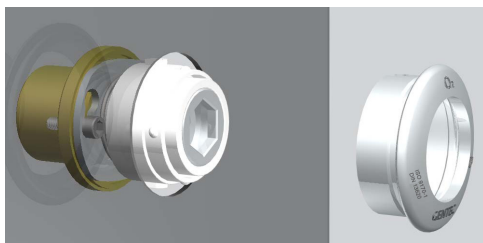
Surface Mount



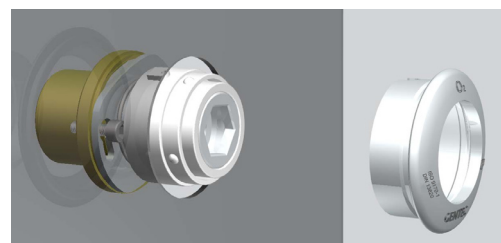
Flush Mount



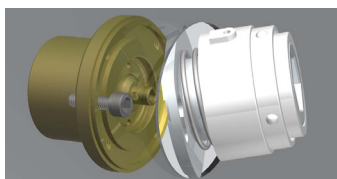
Repair Schematics



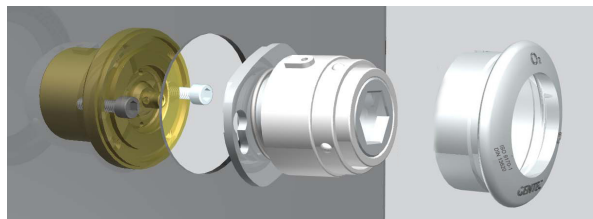
1. Pull the pressure lid off



2. Loosen the two retaining bolts 2-3 mm



3. Pull out the body at an angle





4. Replace the sealing ring without disassembling the panel mount

Ordering Information (Console Type)

381	6 -	V -	S	P08 -	S /	C
Series	Type	Gas Service	Inlet Direction	Inlet Connection	Lid Type	Type of Mounting
	6: GSO (DIN) 7: BSO (BS) 8: JSO (JIS)	O: Oxygen V: Vacuum A: Air (400 kPa) 2: N ₂ O C: CO ₂ * N: N ₂ -800* A8: Air-800*	S: 90° R: 180°	P08: 8 mm O.D. Tubing P10: 10 mm O.D. Tubing HB4: 1/4" Hose Barb HB5: 5/16" Hose Barb M14: M14 X 1.5 VCR Thread	S: Round-faced pressure lid	C: With console plate B: With installation bracket

*: Please ask GENTEC or your local distributor for availability.

Type of Mounting	Configuration	Type of Mounting	Configuration
S / C	 <p>Round-faced pressure lid, console type with console plate</p>	S / B	 <p>Round-faced pressure lid, console type with installation bracket</p>

Ordering Information (Wall Type)

382	6 -	V -	S	P08 -	S /	F
Series	Type	Gas Service	Inlet Direction	Inlet Connection	Lid Type	Type of Mounting
	6: GSO (DIN) 7: BSO (BS) 8: JSO (JIS)	O: Oxygen V: Vacuum A: Air (400 kPa) 2: N ₂ O C: CO ₂ * N: N ₂ -800* A8: Air-800*	S: 90° R: 180°	P08: 8 mm O.D. Tubing P10: 10 mm O.D. Tubing HB4: 1/4" Hose Barb HB5: 5/16" Hose Barb M14: M14 X 1.5 VCR Thread	S: Round-faced pressure lid	F: Flush Mount W: Surface Mount

*: Please ask GENTEC or your local distributor for availability.

Type of Mounting	Configuration	Type of Mounting	Configuration
S / F	 <p>Round-faced pressure lid, wall type, flush mount with protective cover</p>	S / W	 <p>Round-faced pressure lid, wall type, surface mount with protective cover</p>