

Gauges for Zone Valve Boxes

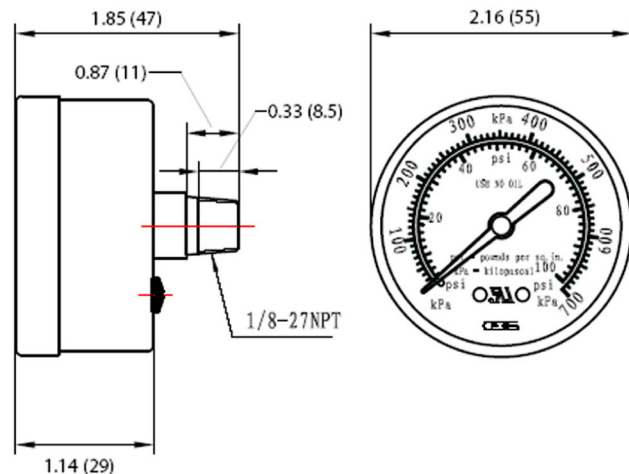
Features

- Size: 2”(50.8mm)
- Style: ASME B40.1 Grade B
- Range(dual): 0-30 inHg; 0-76 cmHg
0-100 psi; 0-700 kPa
0-300 psi; 0-2000 kPa
- Temperature: -40°C to +70°C
- Connection: 1/8-27NPT center back
- Bourdon tube: Tin/Bronze
- Dial: Aluminum alloy
- Needle: Aluminum alloy
- Case: Steel
- Window: Polycarbonate



Specifications

Gauges shall be 2” face diameter, dual scale. Gauges will read 0-100 psi/0-700 kPa for oxygen, medical air, nitrous oxide, and other 50 psi working pressure gases; 0-300 psi/0-2000 kPa for nitrogen and instrument air; and 0-30inHg/0-76 cmHg for vacuum or WAGD. The gauge port shall be equipped with removable plug for pressure testing prior to final assembly of gauge. All gauge model zone valve box assemblies shall read pressure on the patient/point of use side of the valve per NFPA99.



Ordering Information

Gauge Type	Catalog Number	Gases	Quantity
Vacuum, 0-30” Hg	GR2005-030V	Vacuum, WAGD	
Pressure, 0-100 psi	GR2006-100	Oxygen, Medical Air, Nitrous Oxide,	
Pressure, 0-300 psi	GR2006-300	Carbon Dioxide	
		Nitrogen, Instrument Air	

(Gauges ordered separately)